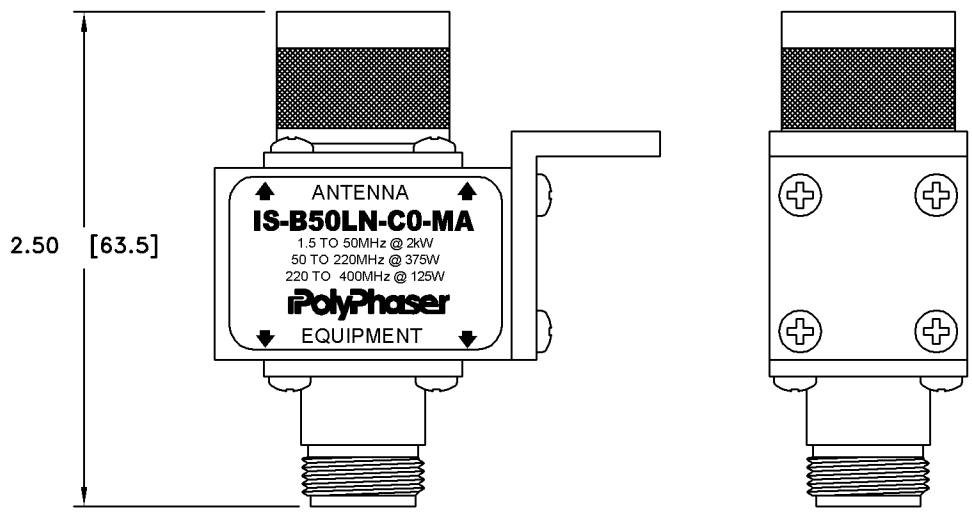


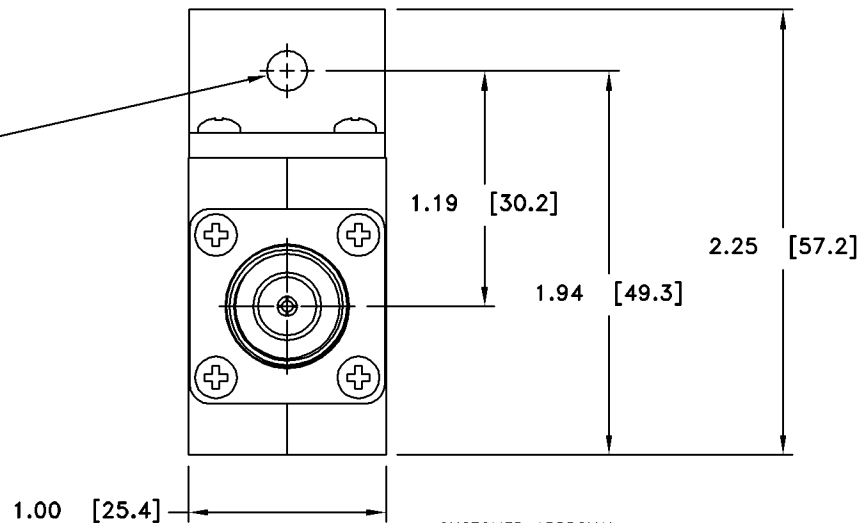
ALL DESIGN, OPERATIVE AND PROCESS DATA PERTAINING TO THE ARTICLE SHOWN ON THIS SHEET IS THE PROPERTY OF POLYPHASER CORPORATION. THE INFORMATION IS NOT TO BE COPIED, REPRODUCED, REVEALED TO OR APPROPRIATED BY OTHERS WITHOUT THE EXPRESS WRITTEN CONSENT OF POLYPHASER CORPORATION.

These commodities or technology are exported from the U.S. in accordance with the Export Administration Regulations. Diversion contrary to U.S. law prohibited.

REVISIONS				
REV LTR	DATE	ENG	MKTG	Q.A.
A	09/03/99 <sup>SH</sup>	OA	PH	RM
B	01/11/01 <sup>IB</sup>	KCB	PH	RM
C	11/15/02 <sup>IB</sup>	LC	SD	LJ
D	03/12/07 <sup>CM</sup>	AD	-	-



∅.20 [∅5.2]



MAXIMUM CHARACTERISTICS	
SURGE:	50kA IEC 61000-4-5 8/20μs WAVEFORM 500 JOULES
TURN-ON:	600Vdc±20%
TURN-ON TIME:	≤2.5ns FOR 2kV/ns
FREQUENCY RANGE:	1.5MHz TO 400MHz
VSWR:	≤1.2:1 1.5MHz TO 2.0MHz ≤1.1:1 2.0MHz TO 400MHz
INSERTION LOSS:	≤0.1dB OVER FREQUENCY RANGE
MAX POWER:	HF 2kW; VHF 375W; UHF 125W
TEMPERATURE:	-45°C TO +85°C STORAGE/OPERATING +50°C

CUSTOMER APPROVAL: \_\_\_\_\_ DATE: \_\_\_\_\_

ALL DIMENSIONS SHOWN ABOVE ARE FOR REFERENCE ONLY.

DRAFTER J. CALLISTER	DATE 03/04/96
MECH ENGINEER O. AKDAG	DATE 03/05/96
ELEC ENGINEER T. KULBIEDA	DATE 03/05/96
MARKETING - - - -	DATE - - - -
QUALITY DEPT R. MATHEUS	DATE 03/05/96

**PolyPhaser**

P.O. BOX 9000 MINDEN, NV 89423 TEL: 775-782-2511 FAX: 775-782-4476  
DWG NO/PART NO/DESCRIPTION

**IS-B50LN-C0-MA**  
CUSTOMER PRINT

CAGE CODE	FILE NAME	SCALE	SHEET
61114	-C1	1/1	1 OF 1