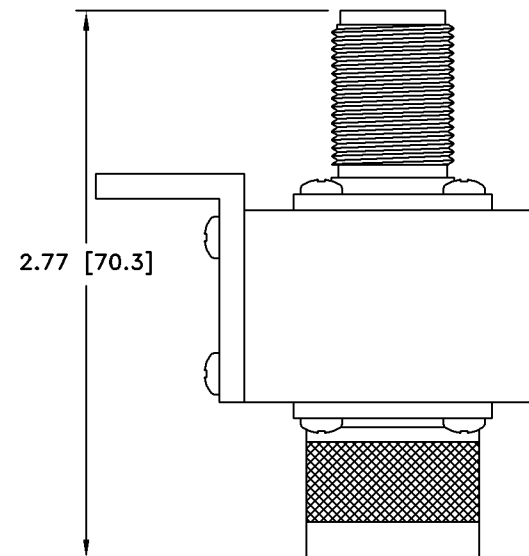
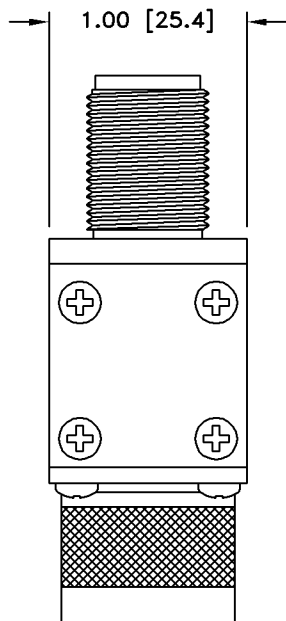
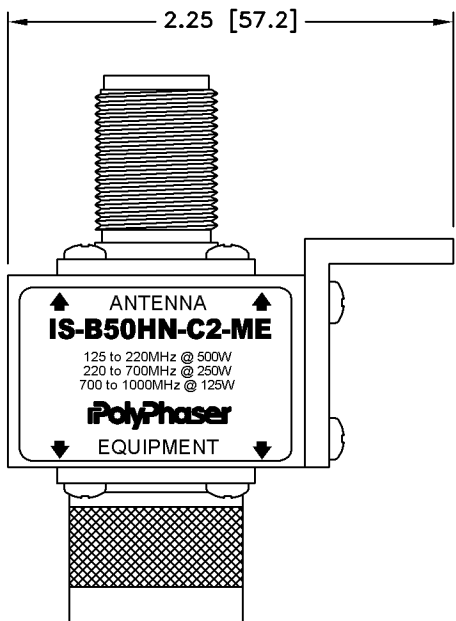
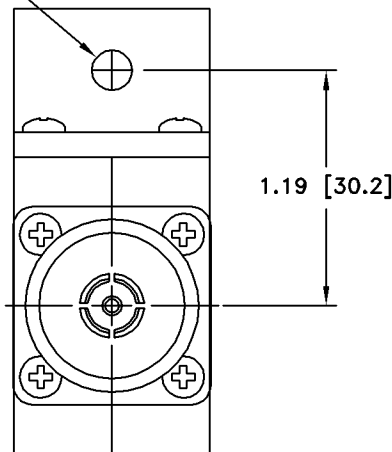


ALL DESIGN, OPERATIVE AND PROCESS DATA PERTAINING TO THE ARTICLE SHOWN ON THIS SHEET IS THE PROPERTY OF POLYPHASER CORPORATION. THE INFORMATION IS NOT TO BE COPIED, REPRODUCED, REVEALED TO OR APPROPRIATED BY OTHERS WITHOUT THE EXPRESS WRITTEN CONSENT OF POLYPHASER CORPORATION.

REVISIONS				
REV LTR	DATE	ENG	MKTG	Q.A.
D	07/02/03 SH	LC	SD	LJ
E	03/08/07 SH	AD	--	--



ø.20 [ø5.2]



MAXIMUM CHARACTERISTICS	
SURGE: 50kA IEC 61000-4-5 8/20µs WAVEFORM 500 JOULES	
TURN-ON: 1,200Vdc ±20%	
TURN-ON TIME: 7ns FOR 2kV/ns	
FREQUENCY RANGE: 125MHz TO 1,000MHz	
VSWR: ≤1.1:1 OVER FREQUENCY RANGE	
INSERTION LOSS: ≤0.1dB OVER FREQUENCY RANGE	
TEMPERATURE: -55°C TO +85°C STORAGE/OPERATING +50°C	

CUSTOMER APPROVAL: _____ DATE: _____
ALL DIMENSIONS SHOWN ABOVE ARE FOR REFERENCE ONLY.

DRAFTER M. JOHNSON	DATE 08/11/94
MECH ENGINEER - - - -	DATE - - - -
ELEC ENGINEER K. BARTEL	DATE 08/11/94
MARKETING - - - -	DATE - - - -
QUALITY DEPT R. MATHEUS	DATE 08/11/94

PolyPhaser

P.O. BOX 9000 MINDEN, NY 89423 TEL: 775-782-2511 FAX: 775-782-4476
DWG NO/PART NO/DESCRIPTION

IS-B50HN-C2-ME
CUSTOMER PRINT

CAGE CODE 61114	FILE NAME -C1	SCALE 1/1	SHEET 1 OF 1
--------------------	------------------	--------------	-----------------

These commodities or technology are exported from the U.S. in accordance with the Export Administration Regulations. Diversion contrary to U.S. law prohibited.