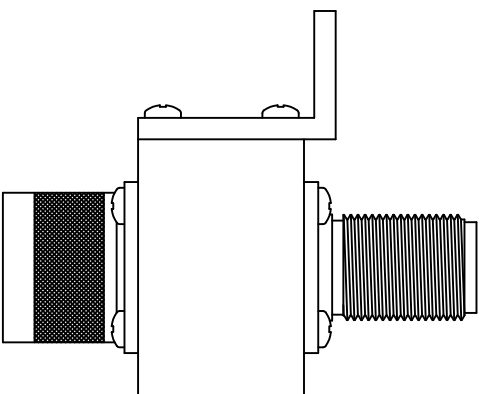
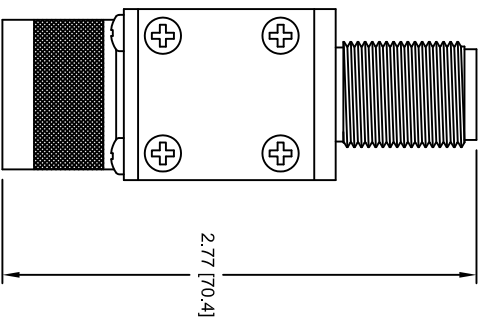
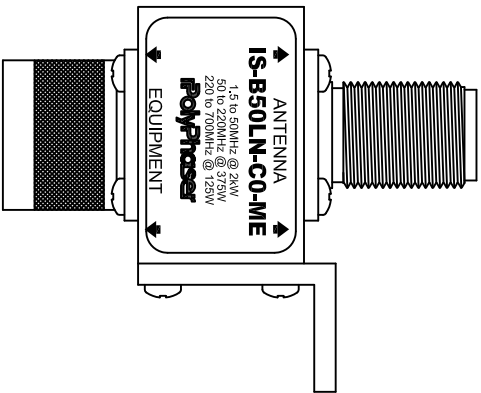
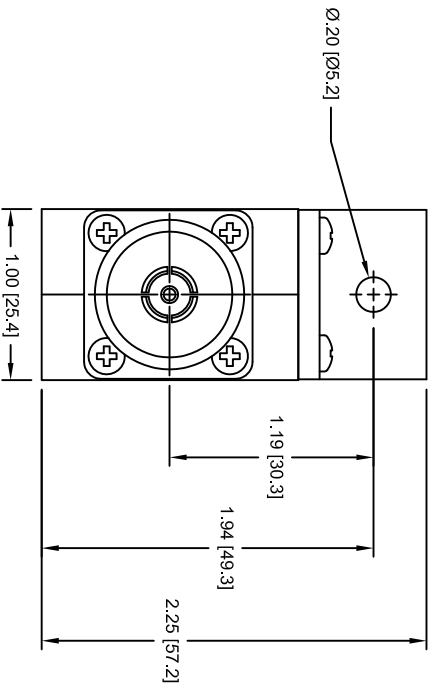


REVISIONS				
REV.	DESCRIPTION	ECN	DATE	APPROVED
D	REFER TO ECN	10493	2/24/12	LC



**MAXIMUM CHARACTERISTICS**

APPLICATION:  
**BULKHEAD MOUNT**  
 FREQUENCY RANGE:  
 1.5MHz TO 700MHz  
 VSWR:  
 <1.1 TO 1 @ 1.5MHz TO 700MHz  
 INSERTION LOSS:  
 <0.1dB OVER FREQUENCY RANGE  
 MAX POWER:  
 2kW @ 1.5MHz TO 50MHz  
 375W @ 50MHz TO 220MHz  
 125W @ 220MHz TO 700MHz  
 THROUGHPUT ENERGY:  
 <10mJ FOR 3kA, 8/20µs WAVEFORM  
 STORAGE/OPERATING TEMPERATURE:  
 -45°C TO +85°C  
 VIBRATION:  
 1G UP TO 100Hz  
 EU ROHS COMPLIANT

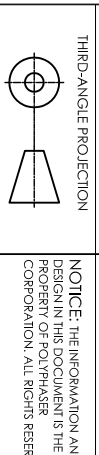


CUSTOMER APPROVAL \_\_\_\_\_ DATE: \_\_\_\_\_

ALL DIMENSIONS SHOWN ARE FOR REFERENCE ONLY.

UNLESS OTHERWISE SPECIFIED LEADING DIMENSIONS ARE INCHES DIMENSIONS IN [ ] ARE MILLIMETERS	
TOLERANCES:	XX±.03
FRACTIONS=1/16	XXX±.010
ANGLES=1°	
MATERIAL:	NOTED
MARKING APP'D	R. MATTHEWS 3/11/96
PROJECT NO.	

DRAWN		DATE
J. CALLISTER		3/4/96
ENG APP'D		
O. AKDAG		3/11/96
PRODUCT MGR		
T. KULBIEDA		3/11/96
MARKETING APP'D		
R. MATTHEWS		3/11/96
PROJECT NO.		



THIRD-ANGLE PROJECTION	
SIZE	A
CAGE	61114
SCALE=	NTS
PROD CAT	RFP
DOCUMENT NAME	IS-B50LN-C0-ME-C
PART NUMBER	IS-B50LN-C0-ME
SHEET	1 of 1
REV	D

**PolyPhaser**  
 IS-B50LN-C0-ME  
 CUSTOMER PRINT