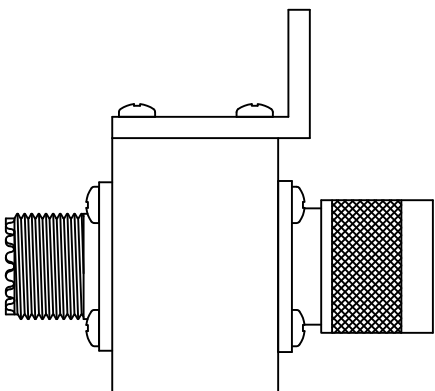
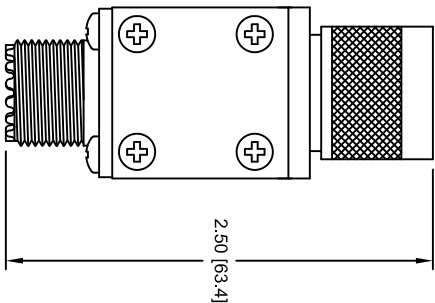
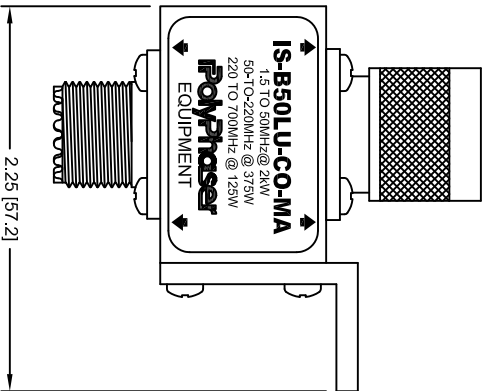
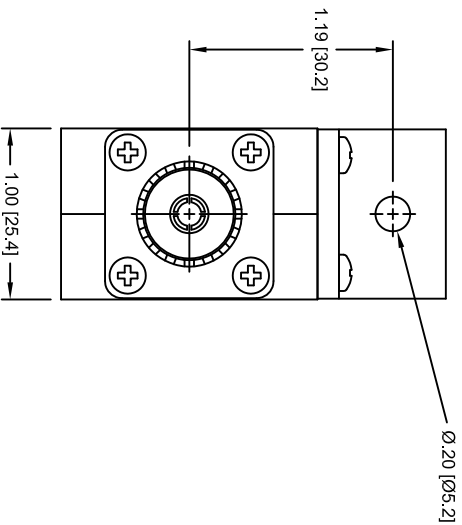


REVISIONS				
REV.	DESCRIPTION	ECN	DATE	APPROVED
E	REFER TO ECN	10493	3/5/12	LC



MAXIMUM CHARACTERISTICS

APPLICATION:
BULKHEAD MOUNT
 FREQUENCY RANGE:
 1.5MHz TO 700MHz
 VSWR:
 ≤1.2:1 @ 1.5MHz TO 700MHz
 INSERTION LOSS:
 <0.1dB OVER FREQUENCY RANGE
 MAX POWER:
 2kW @ 1.5MHz TO 50MHz
 375W @ 50MHz TO 220MHz
 125W @ 220MHz TO 700MHz
 THROUGHPUT ENERGY:
 <10mJ FOR 3kA, 8/20µs WAVEFORM
 STORAGE/OPERATING TEMPERATURE:
 -45°C TO +85°C
 VIBRATION:
 1G AT 5Hz TO 100Hz
 EU ROHS COMPLIANT



ALL DIMENSIONS SHOWN ARE FOR REFERENCE ONLY.

CUSTOMER APPROVAL _____ DATE: _____

UNLESS OTHERWISE SPECIFIED LEADING DIMENSIONS ARE INCHES DIMENSIONS IN [] ARE MILLIMETERS	
TOLERANCES:	XX±.03
FRACTIONS=1/16	XXX±.010
ANGLES=	1°
MATERIAL:	NOTED
PROJECT NO.	

DATE	6/10/98
ENG APPD	C. GASPARI
MARKING APPD	J. VITELLO
DATE	11/6/98
MARKING APPD	T. KULBIEDA
DATE	11/4/98
MARKING APPD	R. MATHEUS
PROJECT NO.	114498



THIRD-ANGLE PROJECTION

NOTICE: THE INFORMATION AND DESIGN IN THIS DOCUMENT IS THE PROPERTY OF POLYPHASER CORPORATION. ALL RIGHTS RESERVED.

SIZE	A	CAGE	61114	DOCUMENT NAME	IS-B50LU-CO-MA-C	REV	E
SCALE	NTS	PROD CAT	RFP	PART NUMBER	IS-B50LU-CO-MA	SHEET	1 of 1

PolyPhaser

IS-B50LU-CO-MA
 CUSTOMER PRINT