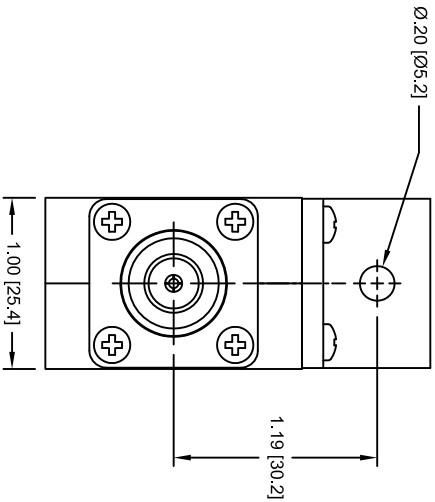
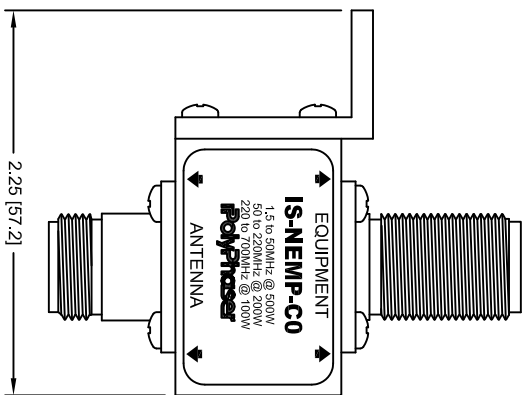
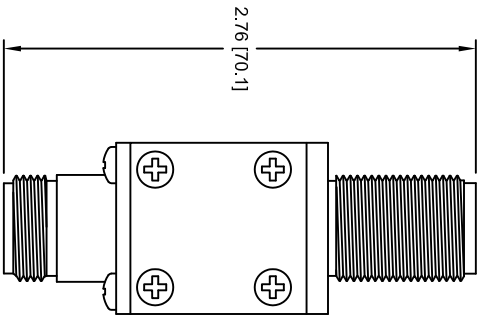
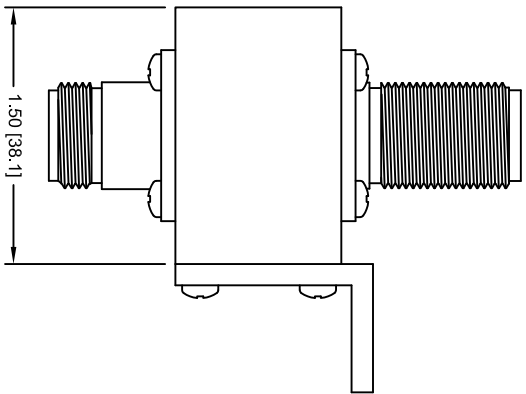


REVISIONS				
REV.	DESCRIPTION	ECN	DATE	APPROVED
F	REFER TO ECN	10493	3/8/12	LC



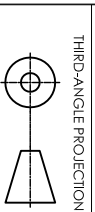
CUSTOMER APPROVAL _____ DATE: _____

ALL DIMENSIONS SHOWN ARE FOR REFERENCE ONLY.

MAXIMUM CHARACTERISTICS	
SURGE:	50kA IEC 1000-4-5 8/20µs WAVEFORM 500 JOULES
TURN-ON:	330Vdc ±20%
TURN-ON TIME:	1.5ns FOR 2kV/ns
FREQUENCY RANGE:	1.5MHz TO 700MHz
VSWR:	≤1.1:1 @ 1.5MHz TO 700MHz
INSERTION LOSS:	≤0.1dB OVER FREQUENCY RANGE
TEMPERATURE:	-45°C TO +85°C STORAGE/ OPERATING +50°C
EU ROHS COMPLIANT	

UNLESS OTHERWISE SPECIFIED LEADING DIMENSIONS ARE INCHES DIMENSIONS IN [] ARE MILLIMETERS	
TOLERANCES:	XX±.03
FRACTIONS=4	XXX±.010
ANGLES=	1°
MATERIAL:	NOTED
MARKETING APP'D	N. JOHN
PROJECT NO.	122394

DRAWN		DATE	
D. SCHARMANN		12/23/94	
ENG. APP'D		PRODUCT NUMBER	
J. JONES		122394	
MARKETING APP'D		PROJECT NO.	
N. JOHN		122394	
TITLE			
IS-NEMP-C0			
CUSTOMER PRINT			



THIRD-ANGLE PROJECTION
NOTICE: THE INFORMATION AND DESIGN IN THIS DOCUMENT IS THE PROPERTY OF POLYPHASER CORPORATION. ALL RIGHTS RESERVED.

SIZE	CAGE	DOCUMENT NAME	REV
A	61114	IS-NEMP-C0-C	F
SCALE=	NTS	PROD. CAT	RFP
PART NUMBER		SHEET	
IS-NEMP-C0		1 of 1	

PolyPhaser

IS-NEMP-C0
CUSTOMER PRINT