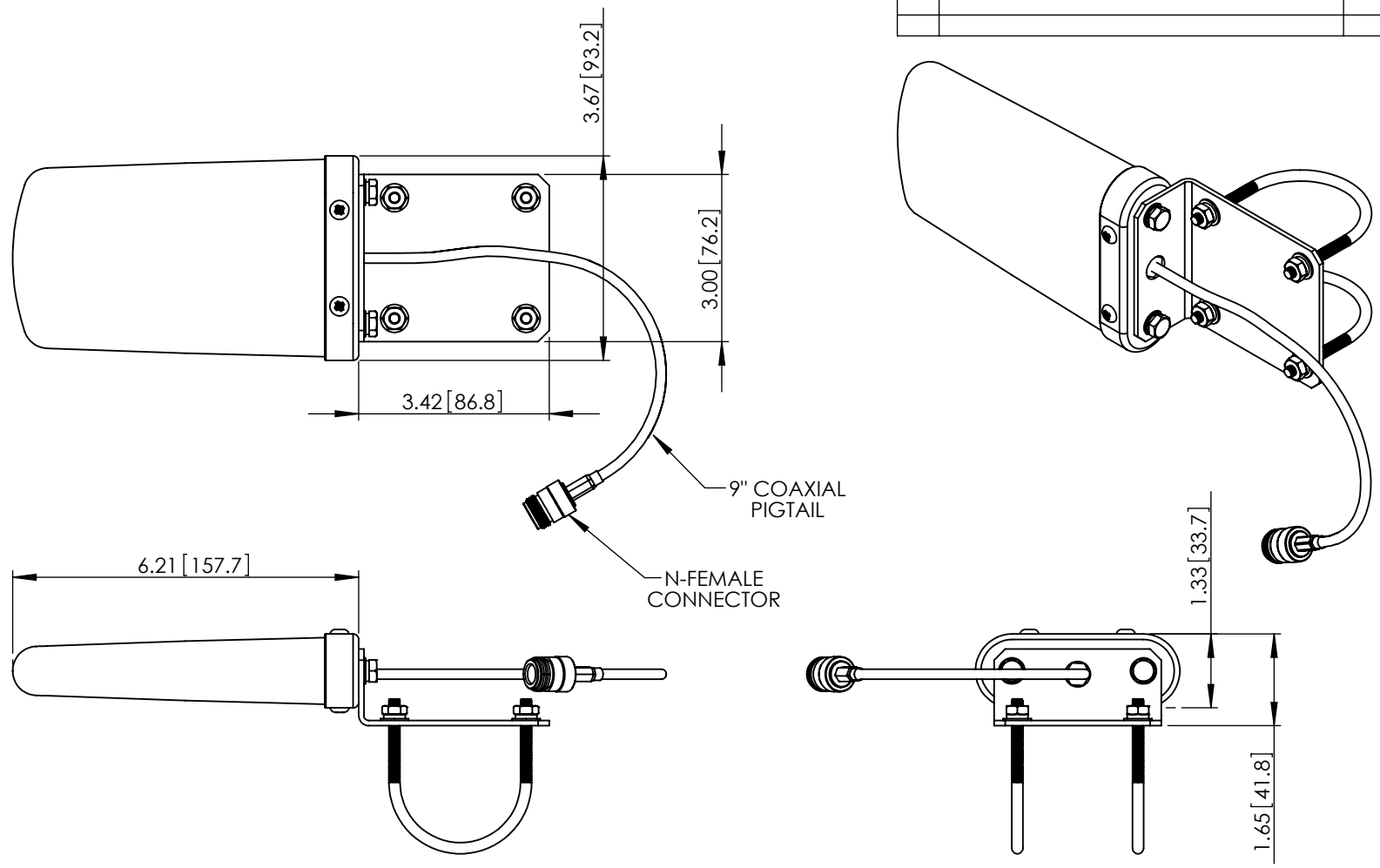


THE INFORMATION CONTAINED IN THIS DRAWING IS THE SOLE PROPERTY OF L-COM, INC. ANY REPRODUCTION IN PART OR WHOLE WITHOUT THE WRITTEN PERMISSION OF L-COM, INC. IS PROHIBITED.

REVISIONS			
REV	DESCRIPTION	DATE	APPROVED
A	Initial Release	06/06/11	B.Puchaski



RoHS Compliant

NOTES:
 PACKAGING:
 COMPONENT SHALL BE PACKAGED IN ACCORDANCE
 WITH L-COM SPEC PKG-00056.

UNLESS OTHERWISE SPECIFIED, DIMENSIONS ARE IN INCHES [mm] DIMENSIONAL TOLERANCES: .X = ±.1 .XX = ±.01 .XXX = ±.005 ANGULAR TOLERANCES: ALL = ± 1° PROJECTION 	APPROVALS	DATE		45 BEECHWOOD DRIVE NORTH ANDOVER, MA 01845	
	DRAWN BY B.Puchaski	06/06/11			
	CHECKED BY P.Pesa	06/06/11	CATEGORY	ANTENNA	
	APPROVED BY P.Pesa	06/06/11	PRODUCT DESCRIPTION	2.4 to 5.9GHz 8dBi Wide Band Log Periodic Antenna w/N-Female Connector	
	COLOR VARIATIONS MAY OCCUR	SIZE A	FSCM NO. 43321	DWG. NO. HG2458-08LP-NF	REV. A
		SCALE: NONE	CAD FILE: HG2458-08LP-NF.SLDDRW		SHEET 1 OF 1