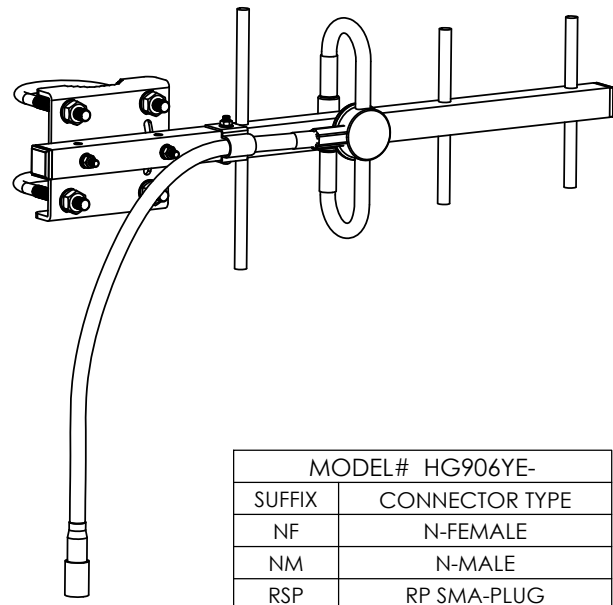
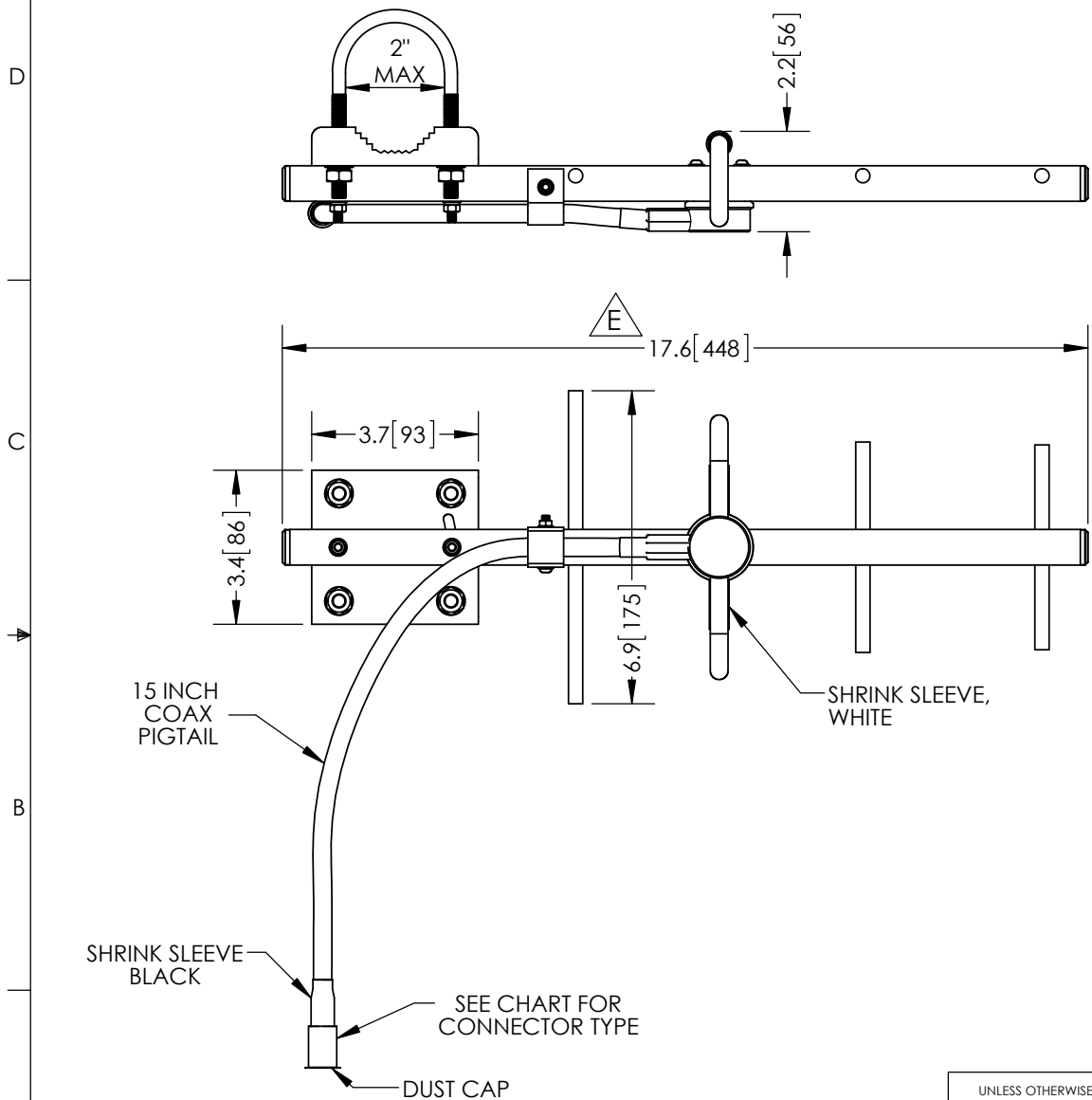


THE INFORMATION CONTAINED IN THIS DRAWING IS THE SOLE PROPERTY OF L-COM, INC. ANY REPRODUCTION IN PART OR WHOLE WITHOUT THE WRITTEN PERMISSION OF L-COM, INC. IS PROHIBITED.

REVISIONS			
REV	DESCRIPTION	DATE	APPROVED
A	RELEASED	03/31/10	DJP
B	ECN 6058 NEW CONNECTOR CHART	03/27/12	B.PUCHASKI
C	ECN 7104 CHANGE LENGTH 13.7 TO 17.7, ADDED RNP TO CHART	10/18/13	B.PUCHASKI
D	ECN 7125 UPDATE ELEMENT LENGTH FROM 7.9 TO 6.9	10/29/13	B.PUCHASKI
E	ECN 8918 UPDATE PER VENDOR SPEC	09/07/17	B.PUCHASKI



MODEL# HG906YE-	
SUFFIX	CONNECTOR TYPE
NF	N-FEMALE
NM	N-MALE
RSP	RP SMA-PLUG
RTP	RP TNC-PLUG
RSJ	RP SMA-JACK
RTJ	RP TNC-JACK
RBP	RP BNC PLUG
SM	SMA MALE
TM	TNC MALE
TF	TNC FEMALE
RNP	RP N PLUG

15 INCH COAX PIGTAIL

SHRINK SLEEVE, WHITE

SHRINK SLEEVE BLACK

SEE CHART FOR CONNECTOR TYPE

DUST CAP

NOTES:
PACKAGING:
 COMPONENT SHALL BE PACKAGED IN ACCORDANCE WITH L-COM SPEC PKG-00021 / PKG-00030

- ALL DIMENSIONS FOR REFERENCE ONLY -

REGULATORY COMPLIANCE:
 CE2011/65/EU(RoHS DIRECTIVE)

UNLESS OTHERWISE SPECIFIED, DIMENSIONS ARE IN INCHES [mm] OVERALL CABLE LENGTH TOLERANCE: ≤ 12 [305] = +1 [25] / -0 >12 [305] ≤ 60 [1524] = +2 [51] / -0 >60 [1524] ≤ 120 [3048] = +4 [102] / -0 >120 [3048] ≤ 300 [7620] = +6 [152] / -0 >300 [7620] = +5% / -0% ALL OTHER DIMENSIONAL TOLERANCES: .X = $\pm .2$ [5.08] .XX = $\pm .02$ [51] .XXX = $\pm .005$ [13]	APPROVALS DRAWN BY B.PUCHASKI CHECKED BY P.PESA APPROVED BY P.PESA	DATE 10/17/13 10/17/13 10/17/13	50 HIGH STREET NORTH ANDOVER, MA 01845
	CONFIGURATION DETAILS OF UNDIMENSIONED FEATURES MAY VARY COLOR VARIATIONS MAY OCCUR	CATEGORY ANTENNA	
PROJECTION 	SIZE A	FSCM NO. 43321	DWG. NO. HG906YE
SCALE: NONE		CAD FILE: HG906YE.SLDDRW	REV. E SHEET 1 OF 1