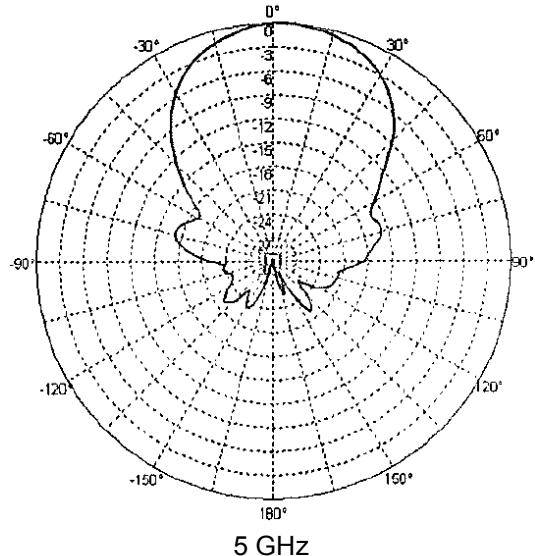
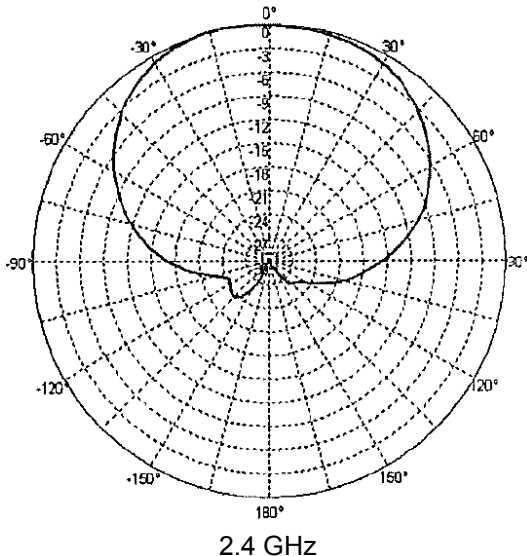


## 802.11n Quad Patch Antenna With RPSMA Plug Connectors

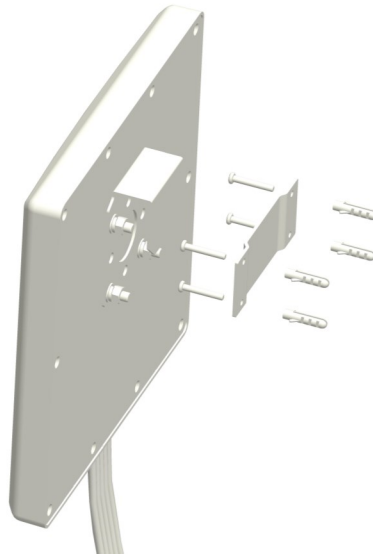
TerraWave's 2.4/5 GHz 6 dBi quad patch multiple-input and multiple-output (MIMO) antenna is designed to be operated with any manufacturer's enterprise-class 802.11n MIMO access points. The antenna comes with four RPSMA Plug connectors and 36" cables. With dual-band leads, each cable supports both 2.4 and 5 GHz, making it an ideal and aesthetically pleasing antenna to support demanding outdoor applications in next generation IEEE 802.11n wireless communication systems. The antenna radome is designed to withstand challenging environments where there is exposure to moisture and dust and comes with an articulating mount. All TerraWave antennas are covered by the Company's two-year TerraNet warranty program. For questions and to purchase product, contact a regional account executive at 210-375-8482, 800-851-4965 or sales@terrawave.com. Visit [www.terrawave.com](http://www.terrawave.com) for additional information.

Specifications	
Model	M6060060MP1D43620
Frequency Range	2400 ~ 2500 MHz   5150 ~ 5850 MHz
Gain	6 dBi
Vertical Beamwidth	80±20°   45±20°
Horizontal Beamwidth	80±20°   45±20°
VSWR	≤ 2.0   ≤ 2.5
Front-to-back ratio	≥18
Polarization	Vertical
Max Power	100 Watts
Connector	RPSMA Plug
Pigtail Length	36" (w/ Connector)
Dimensions	9.2" x 9.0" x 1.1"
Weight	2.65 lbs
Operating Temperature Range	-40°F to +140°F
Mounting Style	Wall or Mast/Pole

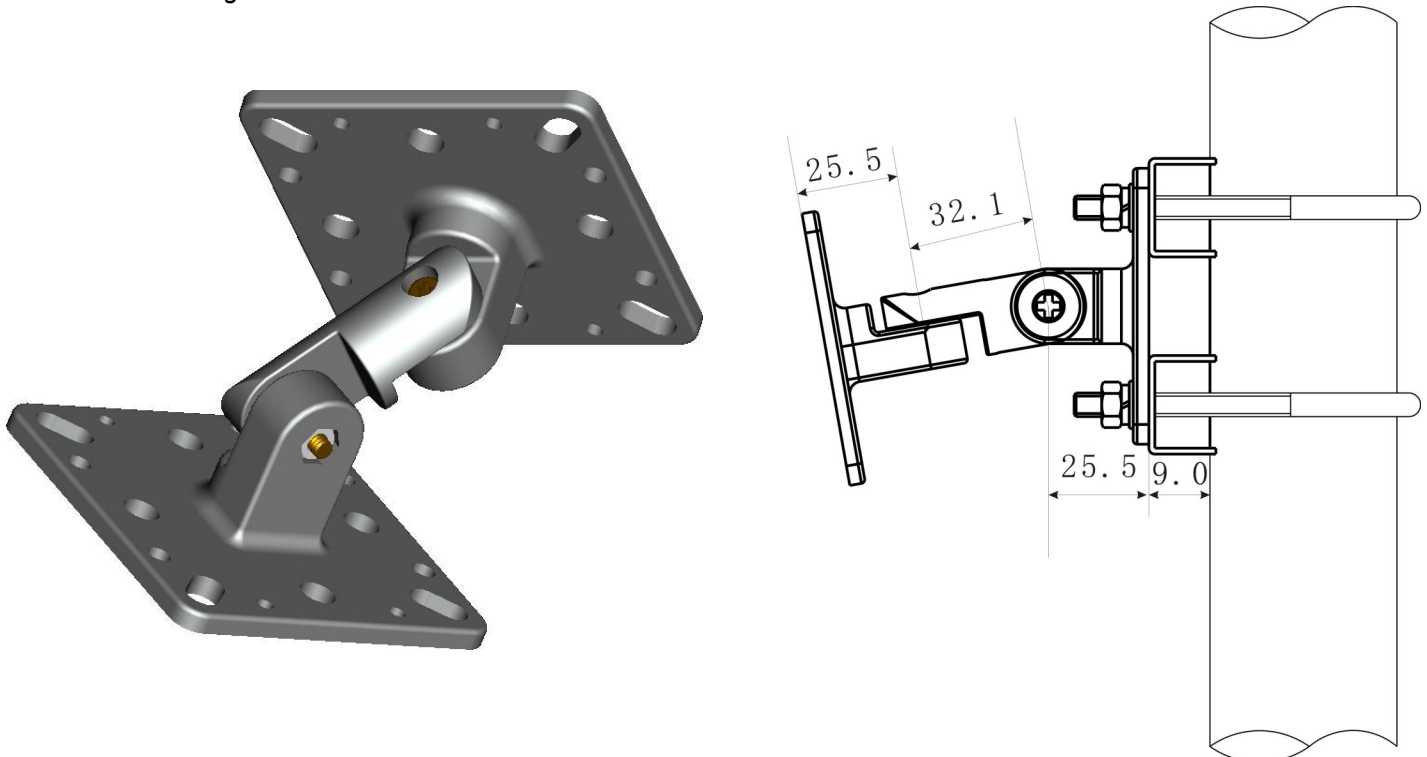


# 802.11n Quad Patch Antenna With RPSMA Plug Connectors

Wall Mount with screws:



Mast Mount with Articulating Mount:  
*Note: Articulating Mount can also be Wall Mounted*



# 802.11n Quad Patch Antenna With RPSMA Plug Connectors

