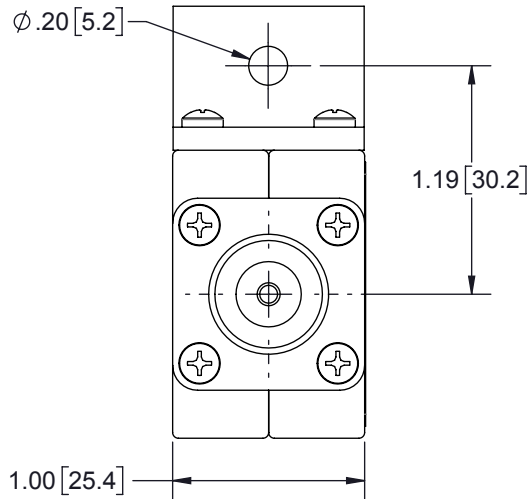
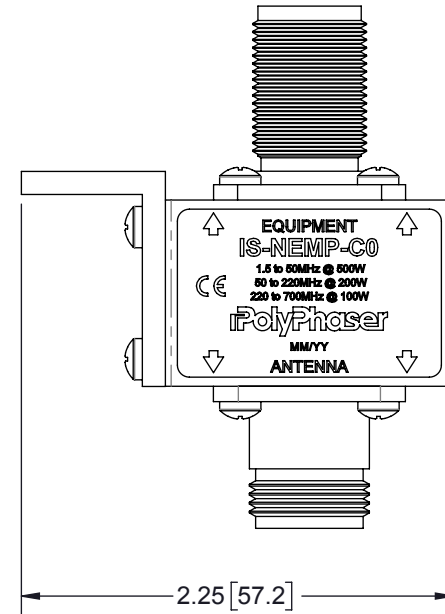
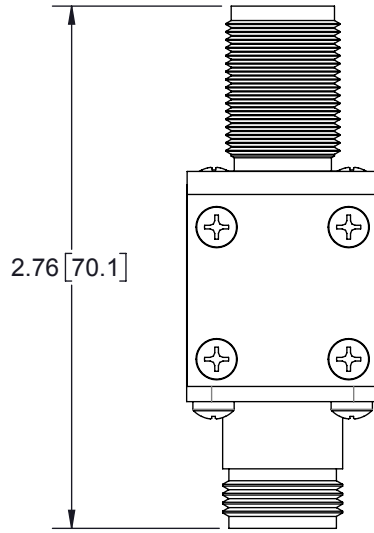
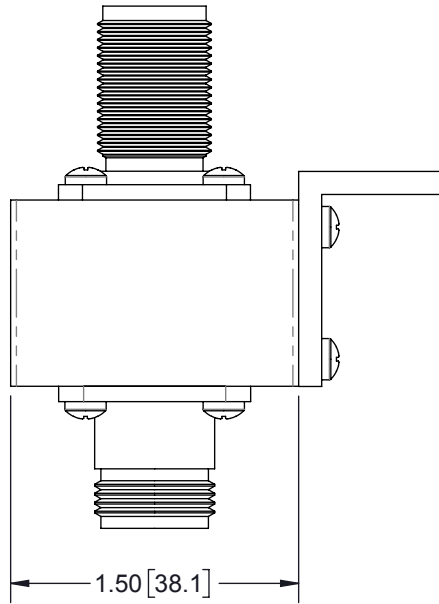


REVISIONS				
REV.	DESCRIPTION	ECN	DATE	APPROVED
G	REFER TO ECN	11339	1/29/13	KCB



CUSTOMER APPROVAL: _____ DATE: _____

ALL DIMENSIONS SHOWN ARE FOR REFERENCE ONLY.

MAXIMUM CHARACTERISTICS
SURGE: 50kA IEC 1000-4-5 8/20 μ s WAVEFORM 500 JOULES
TURN-ON: 330Vdc \pm 20%
TURN-ON TIME: 1.5ns FOR 2kV/ns
FREQUENCY RANGE: 1.5MHz TO 700MHz
VSWR: \leq 1.1:1 @ 1.5MHz TO 700MHz
INSERTION LOSS: \leq 0.1dB OVER FREQUENCY RANGE
TEMPERATURE: -45°C TO +85°C STORAGE/OPERATING +50°C
CE COMPLIANT

THESE COMMODITIES, TECHNOLOGY OR SOFTWARE WERE EXPORTED FROM THE UNITED STATES IN ACCORDANCE WITH THE EXPORT ADMINISTRATION REGULATIONS. DIVERSION CONTRARY TO U.S. LAW PROHIBITED.

UNLESS OTHERWISE SPECIFIED LEADING DIMENSIONS ARE INCHES DIMENSIONS IN [] ARE MILLIMETERS	DRAWN DS 12/23/94	SHEET 1 OF 1
	ENG APPD J. JONES 12/23/94	
TOLERANCES: FRACTIONS= \pm 1/32 .XX= \pm .03 ANGLES= \pm 1° .XXX= \pm .010	PRODUCT MGR	TITLE CUSTOMER PRINT IS-NEMP-C0 CUSTOMER SPECIFICATION
NOTICE: THE INFORMATION AND DESIGN IN THIS DOCUMENT IS THE PROPERTY OF POLYPHASER CORPORATION. ALL RIGHTS RESERVED.	MARKETING APPD N. JOHN 12/23/94	
THIRD-ANGLE PROJECTION 	PROJECT NO.	SIZE CAGE PROD CAT PART NUMBER REV
	DOCUMENT NAME IS-NEMP-C0-C	A 30992 RFP IS-NEMP-C0 G